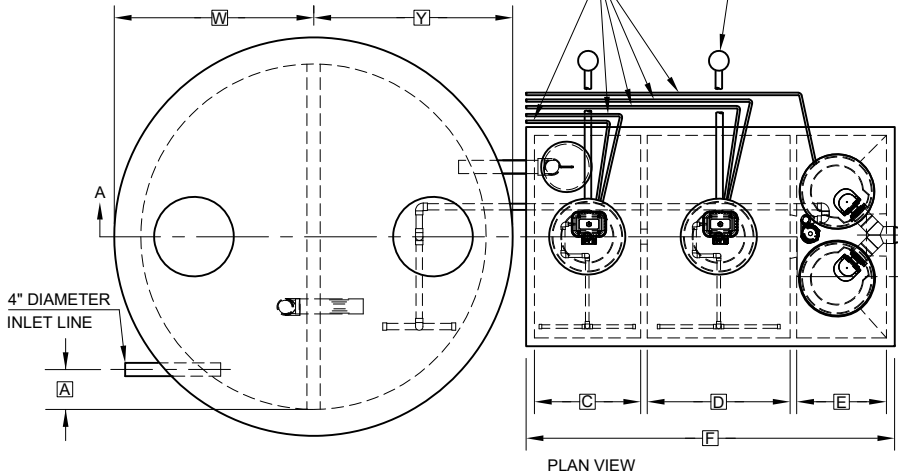


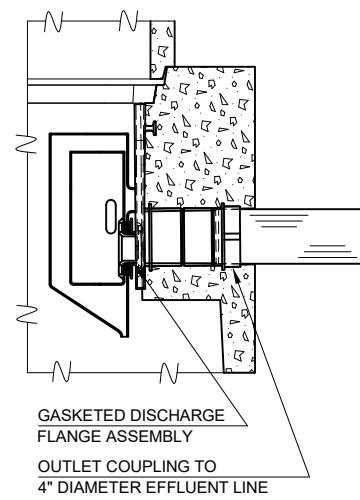
NOTE: REMOTE VENT MUST HAVE A MINIMUM DIAMETER OF 2 INCHES AND MUST TERMINATE A MINIMUM OF 18 INCHES ABOVE GRADE, 1 FOOT FROM PROPERTY LINES, AND 3 FEET FROM ANY WINDOWS OR DOORWAY.

REMOTE VENT WITH CARBON FILTER DEVICE  
ELECTRICAL CONDUITS

4" DIAMETER EFFLUENT LINE  
(DUAL OUTLETS MAY BE COMBINED OUTSIDE CLARIFIER)



NOTE: SYSTEMS INSTALLED IN TRAFFIC AREAS MUST UTILIZE HEAVY-DUTY LOCKING CAST IRON COVERS AND CASTINGS FOR ALL SYSTEM ACCESS OPENINGS AND PRETREATMENT TANK COVER SLAB, AS PREVIOUSLY APPROVED BY SCDHS FOR HS-20 LOADING.



FLOW EQUALIZATION DEVICE DETAIL

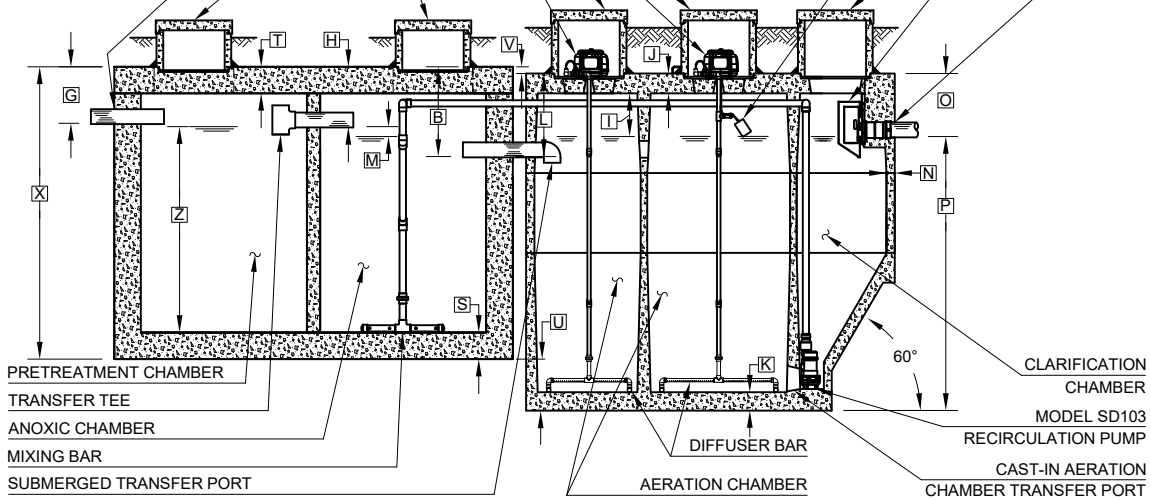
- GENERAL NOTES:**
- FALL THROUGH THE HYDRO-KINETIC® PLANT FROM INLET INVERT TO OUTLET INVERT IS FOUR INCHES. INLET INVERT IS TWELVE INCHES BELOW TANK TOP.
  - ON DEEPER INSTALLATIONS, RISERS MUST BE USED TO EXTEND CASTINGS TO GRADE.
  - TANK REINFORCED PER ACI STD. 318.
  - ALL ACCESS COVERS WEIGH IN EXCESS OF SEVENTY-FIVE POUNDS EACH TO PREVENT UNAUTHORIZED ACCESS.
  - CONTACT THE LOCAL, LICENSED HYDRO-KINETIC® DISTRIBUTOR FOR ELECTRICAL REQUIREMENTS.
  - COLLECT EFFLUENT SAMPLES FROM FLOW EQUALIZATION DEVICE INSTALLED IN CLARIFIER.
  - PRETREATMENT AND ANOXIC CHAMBERS MAY BE INCLUDED AS INTEGRAL COMPONENTS OF THE TREATMENT TANK.

AERATION CHAMBER RISER CASTING WITH LID  
MODEL A100 OR MODEL A150 AIR PUMP (2 REQUIRED) (MAY BE REMOTELY LOCATED)

NOTE: SYSTEMS INSTALLED IN TRAFFIC AND NON-TRAFFIC AREAS MUST UTILIZE 2,000 GALLON TRAFFIC-RATED PRETREATMENT/ANOXIC TANK WITH 8" THICK TOP AND 6" THICK BOTTOM AS PREVIOUSLY APPROVED BY SCDHS. SYSTEMS INSTALLED IN TRAFFIC AREAS MUST UTILIZE TRAFFIC-RATED THREE CHAMBER TREATMENT TANK WITH 6" THICK TOP AND 5-1/2" THICK BOTTOM AS APPROVED UNDER SCDHS NS-015.

ANOXIC CHAMBER RISER CASTING WITH LID  
PRETREATMENT CHAMBER RISER CASTING WITH LID  
APPROVED SEALANT OR SEALING DEVICE

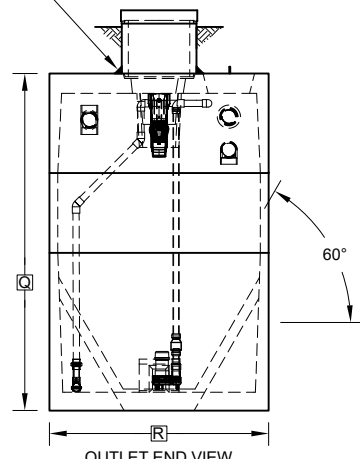
FLOW EQUALIZATION DEVICE (SEE DETAIL)  
CLARIFICATION CHAMBER RISER CASTING WITH LID  
HIGH WATER ALARM FLOAT



NOTE: A TWO CHAMBER 2,000 GALLON TANK IS UTILIZED FOR THE PRETREATMENT AND ANOXIC CHAMBER. THE PRETREATMENT AND ANOXIC CHAMBERS EACH HAVE A VOLUME OF 1,000 GALLONS.

SECTION A-A

SOLVENT WELD CONNECTION  
GROUT OR SYNTHETIC SEAL



OUTLET END VIEW

NOTE: TOTAL SYSTEM CAPACITY: 3,750 GALLONS  
RATED CAPACITY: 1,500 GALLONS PER DAY  
NOTE: SYSTEMS CERTIFIED BY NSF TO NSF/ANSI STANDARD STANDARD 40 MUST INCLUDE MODEL A100 AIR PUMP.

PROJECT ENGINEER'S APPROVAL:  
I (WE) HEREBY CERTIFY THAT THIS DRAWING HAS BEEN CHECKED AND IS APPROVED FOR USE IN CONFORMITY WITH THE CONTRACT DOCUMENTS.

DATE: \_\_\_\_\_  
NAME: \_\_\_\_\_

CONTRACTOR'S CERTIFICATION:  
I (WE) HEREBY CERTIFY THAT THIS DRAWING HAS BEEN CHECKED AND IS APPROVED FOR USE IN CONFORMITY WITH THE CONTRACT DOCUMENTS.

DATE: \_\_\_\_\_  
NAME: \_\_\_\_\_

CRITICAL DIMENSIONS

A	1'-0"	N	0'-2 1/2"
B	2'-3"	O	1'-7"
C	2'-8"	P	6'-10 1/2"
D	3'-7"	Q	8'-5 1/2"
E	2'-3"	R	5'-6"
F	9'-3"	S	0'-8"
G	1'-5"	T	0'-8"
H	1'-6"	U	1'-3 1/2"
I	1'-1"	V	0'-2"
J	0'-6"	W	5'-0"
K	0'-5 1/2"	X	7'-4"
L	2'-1"	Y	5'-0"
M	0'-3"	Z	5'-2"

U.S. AND FOREIGN PATENTS PENDING		REVISED	05-06-2026	A	
		DESIGNED BY	JMM	DATE	04-30-2026
© MMXXVI	<small>THIS DRAWING IS THE PROPERTY OF NORWECO. IT IS TO BE USED ONLY FOR THE PROJECT AND SITE SPECIFICALLY IDENTIFIED HEREON. IT IS NOT TO BE REPRODUCED OR TRANSMITTED IN ANY FORM OR BY ANY MEANS, ELECTRONIC OR MECHANICAL, INCLUDING PHOTOCOPYING, RECORDING, OR BY ANY INFORMATION STORAGE AND RETRIEVAL SYSTEM.</small>	APPROVED BY	NTS	SCALE	NTS
		PROJECT NO.	PC-2-0355		