

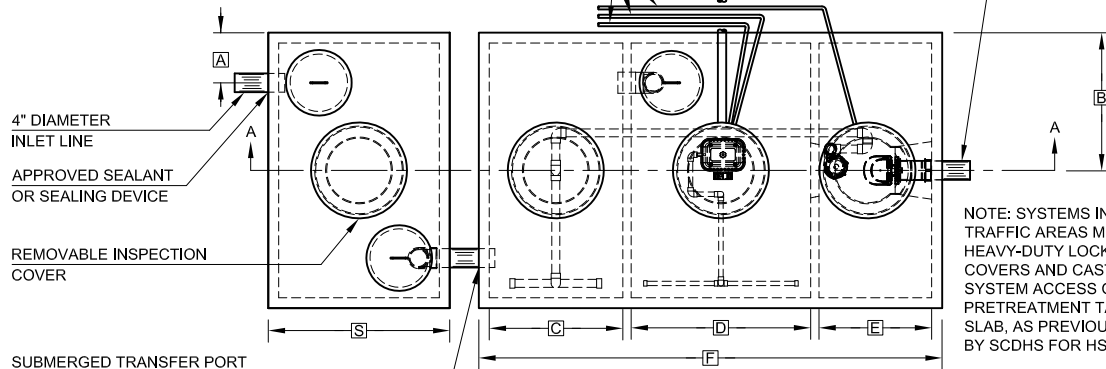
NOTE: REMOTE VENT MUST HAVE A MINIMUM DIAMETER OF 2 INCHES AND MUST TERMINATE A MINIMUM OF 18 INCHES ABOVE GRADE, 1 FOOT FROM PROPERTY LINES, AND 3 FEET FROM ANY WINDOWS OR DOORWAY.

REMOTE VENT WITH CARBON FILTER DEVICE  
ELECTRICAL CONDUITS

4" DIAMETER EFFLUENT LINE

**GENERAL NOTES:**

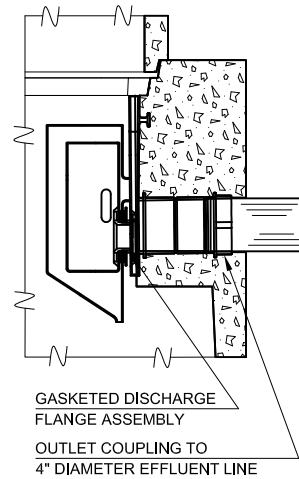
- ① FALL THROUGH THE HYDRO-KINETIC® PLANT FROM INLET INVERT TO OUTLET INVERT IS FOUR INCHES. INLET INVERT IS TWELVE INCHES BELOW TANK TOP.
- ② ON DEEPER INSTALLATIONS, RISERS MUST BE USED TO EXTEND CASTINGS TO GRADE.
- ③ TANK REINFORCED PER ACI STD. 318.
- ④ ALL ACCESS COVERS WEIGH IN EXCESS OF SEVENTY-FIVE POUNDS EACH TO PREVENT UNAUTHORIZED ACCESS.
- ⑤ CONTACT THE LOCAL, LICENSED HYDRO-KINETIC® DISTRIBUTOR FOR ELECTRICAL REQUIREMENTS.
- ⑥ COLLECT EFFLUENT SAMPLES FROM FLOW EQUALIZATION DEVICE INSTALLED IN CLARIFIER.
- ⑦ PRETREATMENT CHAMBER MAY BE INCLUDED AS AN INTEGRAL COMPONENT OF THE TREATMENT TANK.



NOTE: SYSTEMS INSTALLED IN TRAFFIC AREAS MUST UTILIZE HEAVY-DUTY LOCKING CAST IRON COVERS AND CASTINGS FOR ALL SYSTEM ACCESS OPENINGS AND PRETREATMENT TANK COVER SLAB, AS PREVIOUSLY APPROVED BY SCDHS FOR HS-20 LOADING.

**PLAN VIEW**

NOTE: SYSTEMS INSTALLED IN TRAFFIC AREAS MUST UTILIZE 500 GALLON TRAFFIC-RATED PRETREATMENT TANK WITH 6" THICK TOP AND 5-1/2" THICK BOTTOM AS APPROVED UNDER SCDHS NS-010, AND TRAFFIC-RATED THREE CHAMBER TREATMENT TANK WITH 6" THICK TOP AND 5-1/2" THICK BOTTOM AS APPROVED UNDER SCDHS NS-011. ADDITIONAL THICKNESS TO TANK TOP AND BOTTOM ADDED TO OUTSIDE OF TANK SHOWN.



**FLOW EQUALIZATION DEVICE DETAIL**

AERATION CHAMBER RISER CASTING WITH LID

MODEL A100 OR MODEL A150 AIR PUMP (MAY BE REMOTELY LOCATED)

ANOXIC CHAMBER RISER CASTING WITH LID

PRETREATMENT CHAMBER RISER CASTING WITH LID

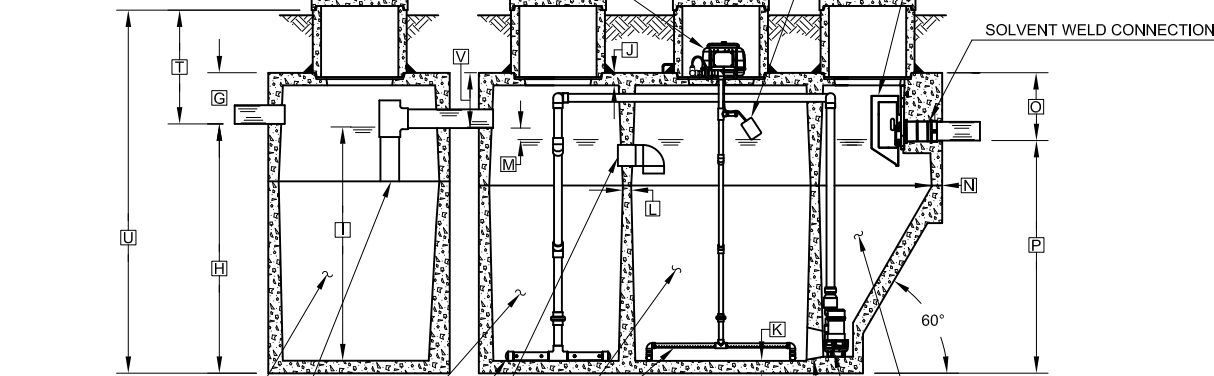
HIGH WATER ALARM FLOAT

CLARIFICATION CHAMBER RISER CASTING WITH LID

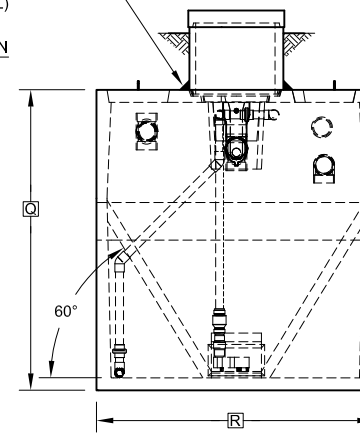
FLOW EQUALIZATION DEVICE (SEE DETAIL)

SOLVENT WELD CONNECTION

GROUT OR SYNTHETIC SEAL



**SECTION A-A**



**OUTLET END VIEW**

PRETREATMENT CHAMBER

TRANSFER TEE

ANOXIC CHAMBER

MIXING BAR

SUBMERGED TRANSFER PORT

AERATION CHAMBER

CLARIFICATION CHAMBER

MODEL SD103 RECIRCULATION PUMP

CAST-IN AERATION CHAMBER TRANSFER PORT

NOTE: SYSTEMS CERTIFIED BY NSF TO NSF/ANSI STANDARD 40 MUST INCLUDE MODEL A100 AIR PUMP.

NOTE: TOTAL SYSTEM CAPACITY: 1,500 GALLONS RATED CAPACITY: 500/600 GALLONS PER DAY

PROJECT ENGINEER'S APPROVAL:  
I (WE) HEREBY CERTIFY THAT THIS DRAWING HAS BEEN CHECKED AND IS APPROVED FOR USE IN CONFORMITY WITH THE CONTRACT DOCUMENTS.

DATE: \_\_\_\_\_

NAME: \_\_\_\_\_

CONTRACTOR'S CERTIFICATION:  
I (WE) HEREBY CERTIFY THAT THIS DRAWING HAS BEEN CHECKED AND IS APPROVED FOR USE IN CONFORMITY WITH THE CONTRACT DOCUMENTS.

DATE: \_\_\_\_\_

NAME: \_\_\_\_\_

**CRITICAL DIMENSIONS**

A	1'-0"	N	0'-2 1/2"
B	2'-9"	O	1'-4"
C	2'-8"	P	4'-8"
D	3'-7"	Q	6'-0"
E	2'-3"	R	5'-6"
F	9'-3"	S	3'-7 1/2"
G	1'-0"	T	2'-1" TO 2'-4"
H	5'-0"	U	7'-1" TO 7'-4"
I	4'-8"	V	1'-1"
J	0'-3"	W	
K	0'-3"	X	
L	0'-2"	Y	
M	0'-3"	Z	

U.S. AND FOREIGN PATENTS PENDING		<small>REVISIONS</small> 09-20-2024 C	<small>DESIGNED BY</small> JMM
		<small>APPROVED BY</small> JMM	<small>DATE</small> 08-30-2021
<small>HYDRO-KINETIC® MODEL 600 WASTEWATER TREATMENT SYSTEM WITHOUT BIO-FILM REACTOR</small>	<small>DRAWING NO.</small> NTS	<small>PROJECT NO.</small> PC-2-0275	<small>SCALE</small> NTS

THIS DOCUMENT IS THE PROPERTY OF NORWECO. IT IS TO BE USED ONLY FOR THE PROJECT AND NOT BE LOANED, REPRODUCED OR COPIED IN ANY MANNER WITHOUT WRITTEN PERMISSION FROM NORWECO.