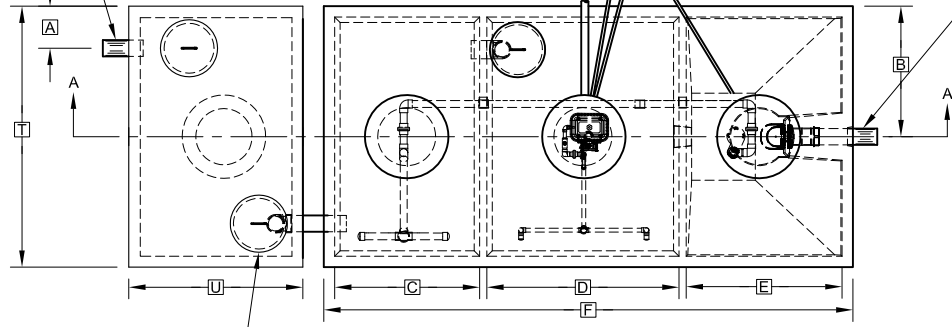


NOTE: REMOTE VENT MUST HAVE A MINIMUM DIAMETER OF 2 INCHES AND MUST TERMINATE A MINIMUM OF 18 INCHES ABOVE GRADE, 1 FOOT FROM PROPERTY LINES, AND 3 FEET FROM ANY WINDOWS OR DOORWAY.

REMOTE VENT WITH CARBON FILTER DEVICE  
ELECTRICAL CONDUITS

4" DIAMETER INLET LINE



REMOVABLE INSPECTION COVER WITH CAST-IN-PLACE HANDLE

PLAN VIEW

AERATION CHAMBER RISER CASTING WITH LID

MODEL A100 OR MODEL A150 AIR PUMP (MAY BE REMOTELY LOCATED)

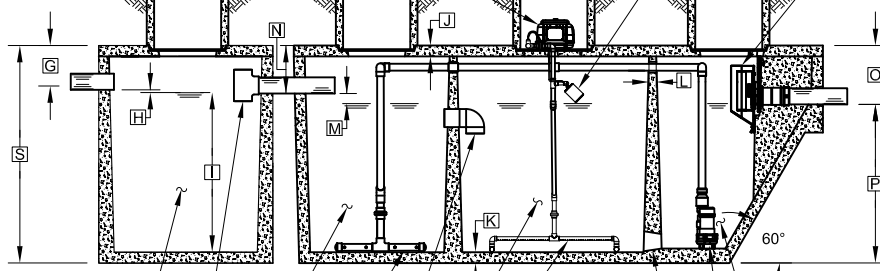
ANOXIC CHAMBER RISER CASTING WITH LID

PRETREATMENT CHAMBER RISER CASTING WITH LID

HIGH WATER ALARM FLOAT

CLARIFICATION CHAMBER RISER CASTING WITH LID

FLOW EQUALIZATION DEVICE (SEE DETAIL)



PRETREATMENT CHAMBER

TRANSFER TEE

ANOXIC CHAMBER

MIXING BAR

SUBMERGED TRANSFER PORT

SECTION A-A

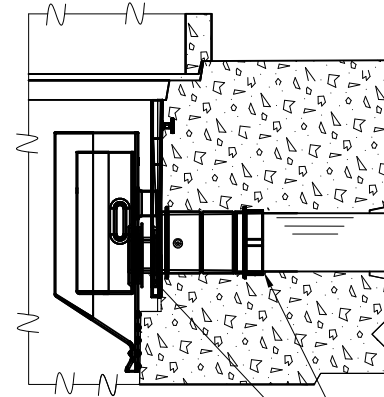
NOTE: PRETREATMENT CHAMBER MINIMUM REQUIREMENTS SHALL BE: 400 GALLONS CAPACITY, 7 GALLONS PER INCH OF LIQUID LEVEL AND 9 INCHES OF FREEBOARD.

CLARIFICATION CHAMBER

MODEL SD103 RECIRCULATION PUMP

CAST-IN AERATION CHAMBER TRANSFER PORT

4" DIAMETER EFFLUENT LINE

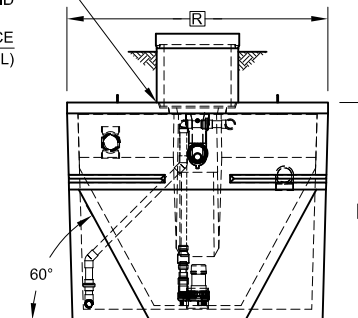


GASKETED DISCHARGE FLANGE ASSEMBLY

OUTLET COUPLING TO 4" DIAMETER EFFLUENT LINE

FLOW EQUALIZATION DEVICE DETAIL

GROUT OR SYNTHETIC SEAL



OUTLET END VIEW

GENERAL NOTES:

- ① FALL THROUGH THE HYDRO-KINETIC® PLANT FROM INLET INVERT TO OUTLET INVERT IS FOUR INCHES. INLET INVERT IS TWELVE INCHES BELOW TANK TOP.
- ② ON DEEPER INSTALLATIONS, RISERS MUST BE USED TO EXTEND CASTINGS TO GRADE.
- ③ TANK REINFORCED PER ACI STD. 318.
- ④ ALL ACCESS COVERS WEIGH IN EXCESS OF SEVENTY-FIVE POUNDS EACH TO PREVENT UNAUTHORIZED ACCESS.
- ⑤ CONTACT THE LOCAL, LICENSED HYDRO-KINETIC® DISTRIBUTOR FOR ELECTRICAL REQUIREMENTS.
- ⑥ COLLECT EFFLUENT SAMPLES FROM FLOW EQUALIZATION DEVICE INSTALLED IN CLARIFIER.
- ⑦ PRETREATMENT CHAMBER MAY BE INCLUDED AS AN INTEGRAL COMPONENT OF THE TREATMENT TANK.

PROJECT ENGINEER'S APPROVAL:  
I (WE) HEREBY CERTIFY THAT THIS DRAWING HAS BEEN CHECKED AND IS APPROVED FOR USE IN CONFORMITY WITH THE CONTRACT DOCUMENTS.

DATE: \_\_\_\_\_

NAME: \_\_\_\_\_

CONTRACTOR'S CERTIFICATION:  
I (WE) HEREBY CERTIFY THAT THIS DRAWING HAS BEEN CHECKED AND IS APPROVED FOR USE IN CONFORMITY WITH THE CONTRACT DOCUMENTS.

DATE: \_\_\_\_\_

NAME: \_\_\_\_\_

CRITICAL DIMENSIONS

A	1'-0"	N	1'-1"
B	3'-0"	O	1'-4"
C	3'-4"	P	3'-8"
D	4'-5"	Q	5'-0"
E	3'-7"	R	6'-0"
F	12'-2"	S	
G	1'-0"	T	
H	0'-1"	U	
I	3'-8"	V	
J	0'-3"	W	
K	0'-3"	X	
L	0'-2"	Y	
M	0'-3"	Z	

NOTE: SYSTEMS CERTIFIED BY NSF TO NSF/ANSI STANDARD 40 MUST INCLUDE MODEL A100 AIR PUMP.

NOTE: TOTAL SYSTEM CAPACITY: 1,500 GALLONS RATED CAPACITY: 500/600 GALLONS PER DAY

U.S. AND FOREIGN PATENTS PENDING		<small>REVISIONS</small> <small>DATE</small> 09-20-2024 <small>BY</small> JMM	<small>REVISION</small> <small>DATE</small> 06-18-2024 <small>BY</small> NTS
		<small>LOW PROFILE HYDRO-KINETIC® MODEL 600 WASTEWATER TREATMENT SYSTEM WITHOUT BIO-FILM REACTOR</small>	
© MMXXIV			<small>DRAWING NO.</small> PC-2-0320