

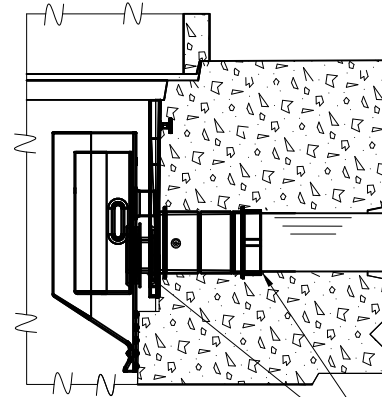
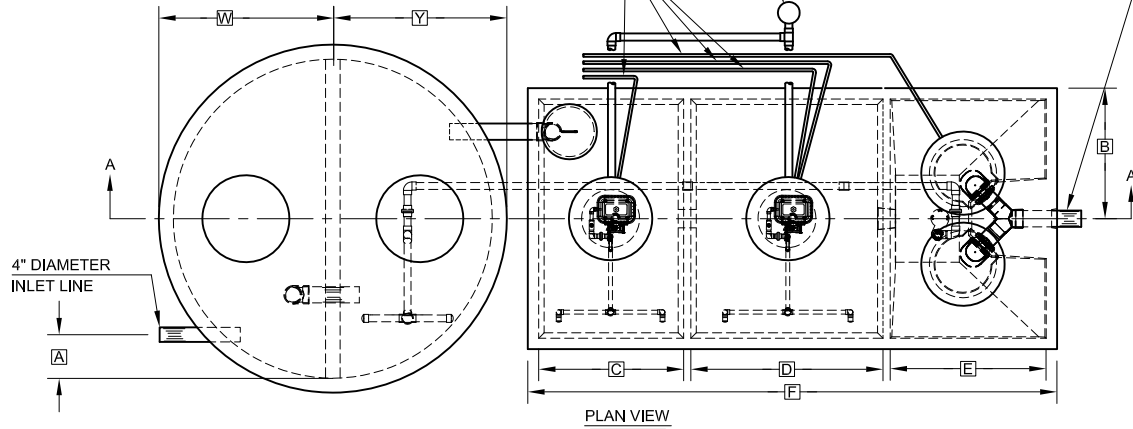
NOTE: REMOTE VENT MUST HAVE A MINIMUM DIAMETER OF 2 INCHES AND MUST TERMINATE A MINIMUM OF 18 INCHES ABOVE GRADE, 1 FOOT FROM PROPERTY LINES, AND 3 FEET FROM ANY WINDOWS OR DOORWAY.

REMOTE VENT WITH CARBON FILTER DEVICE
ELECTRICAL CONDUITS

4" DIAMETER EFFLUENT LINE

GENERAL NOTES:

- ① FALL THROUGH THE HYDRO-KINETIC® PLANT FROM INLET INVERT TO OUTLET INVERT IS FOUR INCHES. INLET INVERT IS TWELVE INCHES BELOW TANK TOP.
- ② ON DEEPER INSTALLATIONS, RISERS MUST BE USED TO EXTEND CASTINGS TO GRADE.
- ③ TANK REINFORCED PER ACI STD. 318.
- ④ ALL ACCESS COVERS WEIGH IN EXCESS OF SEVENTY-FIVE POUNDS EACH TO PREVENT UNAUTHORIZED ACCESS.
- ⑤ CONTACT THE LOCAL, LICENSED HYDRO-KINETIC® DISTRIBUTOR FOR ELECTRICAL REQUIREMENTS.
- ⑥ COLLECT EFFLUENT SAMPLES FROM FLOW EQUALIZATION DEVICE INSTALLED IN CLARIFIER.
- ⑦ ANOXIC CHAMBER MAY BE INCLUDED AS AN INTEGRAL COMPONENT OF THE TREATMENT TANK.



GASKETED DISCHARGE FLANGE ASSEMBLY
OUTLET COUPLING TO 4" DIAMETER EFFLUENT LINE

FLOW EQUALIZATION DEVICE DETAIL

AERATION CHAMBER RISER CASTING WITH LID

MODEL A100 OR MODEL A150 AIR PUMP (MAY BE REMOTELY LOCATED)

ANOXIC CHAMBER RISER CASTING WITH LID

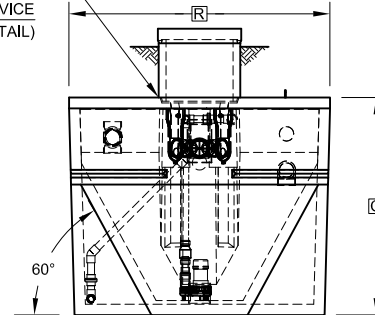
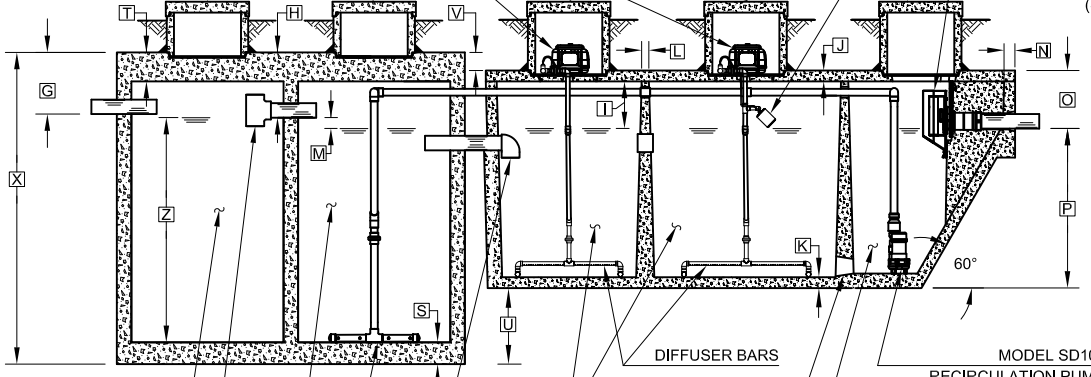
PRETREATMENT CHAMBER RISER CASTING WITH LID

HIGH WATER ALARM FLOAT

CLARIFICATION CHAMBER RISER CASTING WITH LID

FLOW EQUALIZATION DEVICE (SEE DETAIL)

GROUT OR SYNTHETIC SEAL



OUTLET END VIEW

PRETREATMENT CHAMBER

TRANSFER TEE

ANOXIC CHAMBER

MIXING BAR

SUBMERGED TRANSFER PORT

DIFFUSER BARS

AERATION CHAMBERS

MODEL SD103 RECIRCULATION PUMP

CLARIFICATION CHAMBER

CAST-IN AERATION CHAMBER TRANSFER PORT

SECTION A-A

NOTE: A TWO CHAMBER 1,500 GALLON TANK IS UTILIZED FOR THE PRETREATMENT AND ANOXIC CHAMBER. THE PRETREATMENT AND ANOXIC CHAMBERS EACH HAVE A VOLUME OF 750 GALLONS.

NOTE: SYSTEMS CERTIFIED BY NSF TO NSF/ANSI STANDARD 40 MUST INCLUDE MODEL A100 AIR PUMPS.

NOTE: TOTAL SYSTEM CAPACITY: 2,500 GALLONS RATED CAPACITY: 1000 GALLONS PER DAY

PROJECT ENGINEER'S APPROVAL:
I (WE) HEREBY CERTIFY THAT THIS DRAWING HAS BEEN CHECKED AND IS APPROVED FOR USE IN CONFORMITY WITH THE CONTRACT DOCUMENTS.

DATE: _____

NAME: _____

CONTRACTOR'S CERTIFICATION:
I (WE) HEREBY CERTIFY THAT THIS DRAWING HAS BEEN CHECKED AND IS APPROVED FOR USE IN CONFORMITY WITH THE CONTRACT DOCUMENTS.

DATE: _____

NAME: _____

CRITICAL DIMENSIONS

A	1'- 0"	N	0'- 3"
B	3'- 0"	O	1'- 4"
C	3'- 4"	P	3'- 8"
D	4'- 5"	Q	5'- 0"
E	3'- 7"	R	6'- 0"
F	12'- 2"	S	0'- 6"
G	1'- 5"	T	0'- 8"
H	1'- 6"	U	1'- 9"
I	1'- 1"	V	0'- 5"
J	0'- 3"	W	4'- 0"
K	0'- 3"	X	7'- 2"
L	0'- 2"	Y	4'- 0"
M	0'- 3"	Z	5'- 6"

U.S. AND FOREIGN PATENTS PENDING	norweco	REVISIONS	NO. 09-20-2024	BY C
		DESIGNED BY	JMM	
© MMXXIV	LOW PROFILE HYDRO-KINETIC® MODEL 1000 WASTEWATER TREATMENT SYSTEM WITHOUT BIO-FILM REACTOR	APPROVED BY	JMM	
		DATE	06-18-2024	
		SCALE	NTS	
		DRAWING NO.	PC-2-0321	