

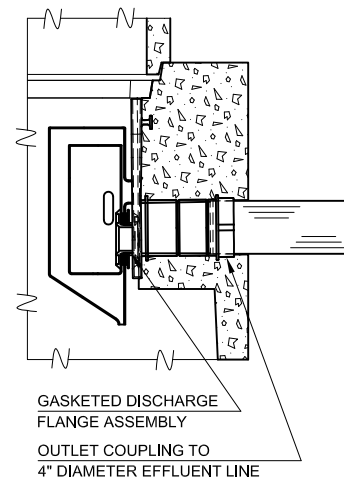
NOTE: REMOTE VENT MUST HAVE A MINIMUM DIAMETER OF 2 INCHES AND MUST TERMINATE A MINIMUM OF 18 INCHES ABOVE GRADE, 1 FOOT FROM PROPERTY LINES, AND 3 FEET FROM ANY WINDOWS OR DOORWAY.

REMOTE VENT WITH CARBON FILTER DEVICE

ELECTRICAL CONDUITS

4" DIAMETER EFFLUENT LINE (DUAL OUTLETS MAY BE COMBINED INSIDE CLARIFIER)

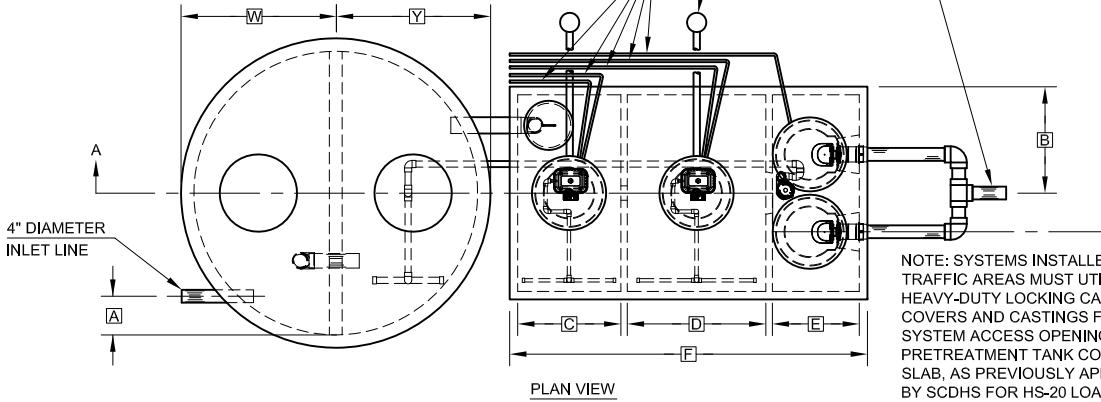
NOTE: SYSTEMS INSTALLED IN TRAFFIC AREAS MUST UTILIZE HEAVY-DUTY LOCKING CAST IRON COVERS AND CASTINGS FOR ALL SYSTEM ACCESS OPENINGS AND PRETREATMENT TANK COVER SLAB, AS PREVIOUSLY APPROVED BY SCDHS FOR HS-20 LOADING.



FLOW EQUALIZATION DEVICE DETAIL

GENERAL NOTES:

- ① FALL THROUGH THE HYDRO-KINETIC® PLANT FROM INLET INVERT TO OUTLET INVERT IS FOUR INCHES. INLET INVERT IS TWELVE INCHES BELOW TANK TOP.
- ② ON DEEPER INSTALLATIONS, RISERS MUST BE USED TO EXTEND CASTINGS TO GRADE.
- ③ TANK REINFORCED PER ACI STD. 318.
- ④ ALL ACCESS COVERS WEIGH IN EXCESS OF SEVENTY-FIVE POUNDS EACH TO PREVENT UNAUTHORIZED ACCESS.
- ⑤ CONTACT THE LOCAL, LICENSED HYDRO-KINETIC® DISTRIBUTOR FOR ELECTRICAL REQUIREMENTS.
- ⑥ COLLECT EFFLUENT SAMPLES FROM FLOW EQUALIZATION DEVICE INSTALLED IN CLARIFIER.
- ⑦ PRETREATMENT AND ANOXIC CHAMBERS MAY BE INCLUDED AS INTEGRAL COMPONENTS OF THE TREATMENT TANK.



PLAN VIEW

NOTE: SYSTEMS INSTALLED IN TRAFFIC AND NON-TRAFFIC AREAS MUST UTILIZE 1,500 GALLON TRAFFIC-RATED PRETREATMENT/ANOXIC TANK WITH 8" THICK TOP AND 6" THICK BOTTOM AS PREVIOUSLY APPROVED BY SCDHS. SYSTEMS INSTALLED IN TRAFFIC AREAS MUST UTILIZE TRAFFIC-RATED THREE CHAMBER TREATMENT TANK WITH 8" THICK TOP AND 5-1/2" THICK BOTTOM AS APPROVED UNDER SCDHS NS-013. ADDITIONAL THICKNESS TO TANK TOP AND BOTTOM ADDED TO OUTSIDE OF TANK SHOWN.

AERATION CHAMBER RISER CASTING WITH LID

MODEL A100 OR MODEL A150 AIR PUMP (2 REQUIRED) (MAY BE REMOTELY LOCATED)

ANOXIC CHAMBER RISER CASTING WITH LID

PRETREATMENT CHAMBER RISER CASTING WITH LID

APPROVED SEALANT OR SEALING DEVICE

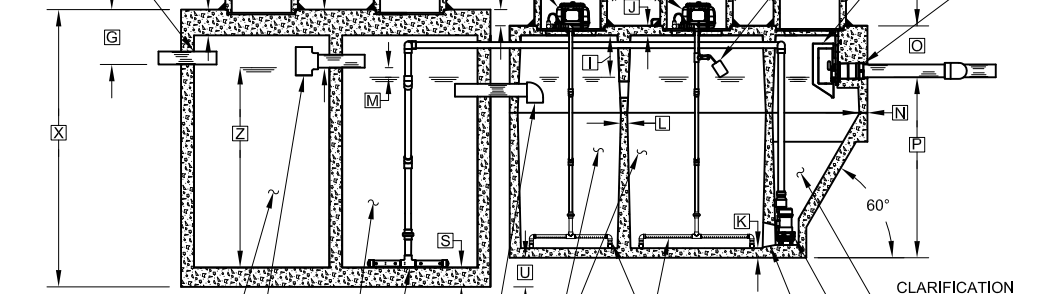
FLOW EQUALIZATION DEVICE (SEE DETAIL)

CLARIFICATION CHAMBER RISER CASTING WITH LID

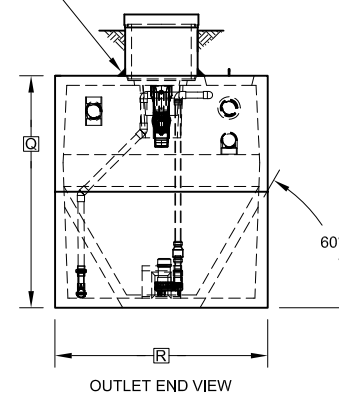
HIGH WATER ALARM FLOAT

SOLVENT WELD CONNECTION

GROUT OR SYNTHETIC SEAL



SECTION A-A



OUTLET END VIEW

PRETREATMENT CHAMBER

TRANSFER TEE

ANOXIC CHAMBER

MIXING BAR

SUBMERGED TRANSFER PORT

AERATION CHAMBER

DIFFUSER BAR

CLARIFICATION CHAMBER

MODEL SD103 RECIRCULATION PUMP

CAST-IN AERATION CHAMBER TRANSFER PORT

NOTE: A TWO CHAMBER 1,500 GALLON TANK IS UTILIZED FOR THE PRETREATMENT AND ANOXIC CHAMBER. THE PRETREATMENT AND ANOXIC CHAMBERS EACH HAVE A VOLUME OF 750 GALLONS.

NOTE: SYSTEMS CERTIFIED BY NSF TO NSF/ANSI STANDARD 40 MUST INCLUDE MODEL A100 AIR PUMP.

NOTE: TOTAL SYSTEM CAPACITY: 2,500 GALLONS RATED CAPACITY: 1,000 GALLONS PER DAY

PROJECT ENGINEER'S APPROVAL:
I (WE) HEREBY CERTIFY THAT THIS DRAWING HAS BEEN CHECKED AND IS APPROVED FOR USE IN CONFORMITY WITH THE CONTRACT DOCUMENTS.

DATE: _____

NAME: _____

CONTRACTOR'S CERTIFICATION:
I (WE) HEREBY CERTIFY THAT THIS DRAWING HAS BEEN CHECKED AND IS APPROVED FOR USE IN CONFORMITY WITH THE CONTRACT DOCUMENTS.

DATE: _____

NAME: _____

CRITICAL DIMENSIONS

A	1'-0"	N	0'-2 1/2"
B	2'-9"	O	1'-4"
C	2'-8"	P	4'-8"
D	3'-7"	Q	6'-0"
E	2'-3"	R	5'-6"
F	9'-3"	S	0'-6"
G	1'-5"	T	0'-8"
H	1'-6"	U	0'-9"
I	1'-1"	V	0'-5"
J	0'-3"	W	4'-0"
K	0'-3"	X	7'-2"
L	0'-2"	Y	4'-0"
M	0'-3"	Z	5'-6"

U.S. AND FOREIGN PATENTS PENDING		REVISED BY	10-03-2024	REVISION	C
		APPROVED BY	JMM	DATE	11-12-2021
© MMXXI	HYDRO-KINETIC® MODEL 1000 WASTEWATER TREATMENT SYSTEM WITHOUT BIO-FILM REACTOR	ISSUE	NTS	DRAWING NO.	PC-2-0282