

NOTE: REMOTE VENT MUST HAVE A MINIMUM DIAMETER OF 2 INCHES AND MUST TERMINATE A MINIMUM OF 18 INCHES ABOVE GRADE, 1 FOOT FROM PROPERTY LINES, AND 3 FEET FROM ANY WINDOWS OR DOORWAY.

REMOTE VENT WITH CARBON FILTER DEVICE
ELECTRICAL CONDUITS

AERATOR MOUNTING RISER AND NON-VENTED COVER

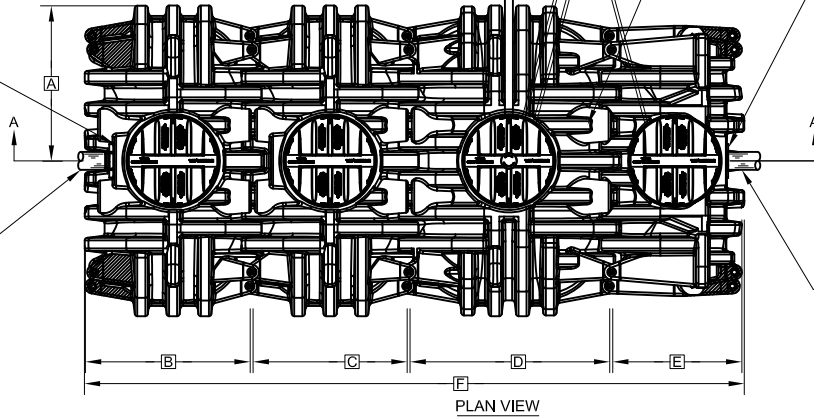
APPROVED SEALING DEVICE

RECEIVING FLANGE

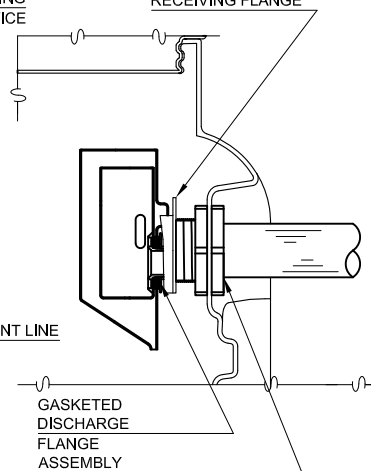
APPROVED SEALING DEVICE

4" DIAMETER INLET LINE

4" DIAMETER EFFLUENT LINE



PLAN VIEW



APPROVED SEALING DEVICE TO 4" DIAMETER EFFLUENT LINE

FLOW EQUALIZATION DEVICE DETAIL

GENERAL NOTES:

- FALL THROUGH HYDRO-KINETIC® PLANT FROM INLET INVERT TO OUTLET INVERT IS FOUR INCHES.
- ON DEEPER INSTALLATIONS, RISERS MUST BE USED TO EXTEND TANK RISERS TO GRADE.
- REMOVABLE COVERS ON RISERS ARE EACH SECURED TO PREVENT UNAUTHORIZED ACCESS.
- CONTACT THE LOCAL, LICENSED HYDRO-KINETIC® DISTRIBUTOR FOR ELECTRICAL REQUIREMENTS.
- AIR PUMP MAY BE MOUNTED INSIDE THE RISER ABOVE THE AERATION CHAMBER OR MAY BE REMOTE MOUNTED UP TO 100 FEET FROM THE TANK.
- COLLECT EFFLUENT SAMPLES FROM FLOW EQUALIZATION DEVICE INSTALLED IN CLARIFIER.

NON-VENTED COVER

MODEL A100 OR MODEL A150 AIR PUMP (MAY BE REMOTELY LOCATED)

DIFFUSER BAR

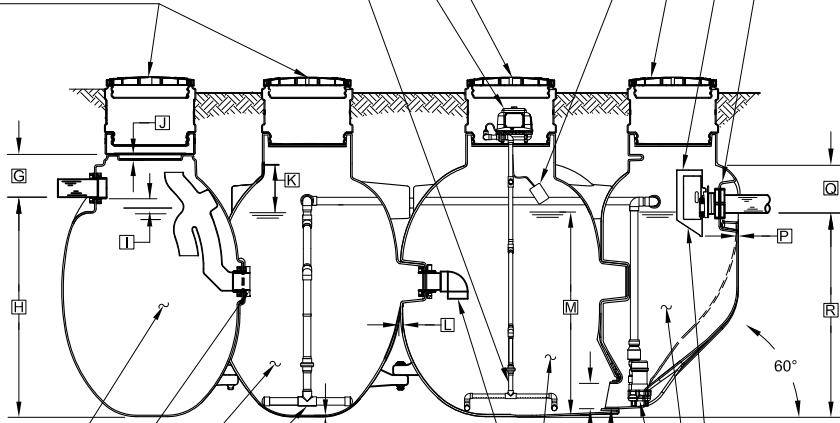
NON-VENTED COVERS

HIGH WATER ALARM FLOAT

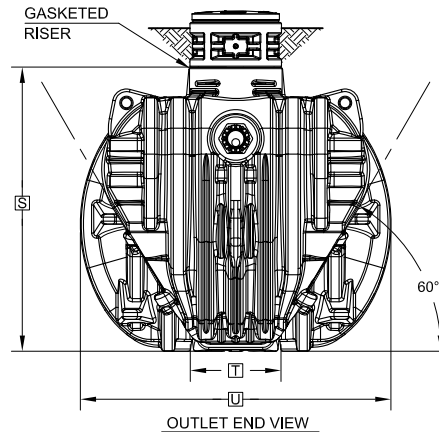
CLARIFICATION RISER WITH NON-VENTED COVER

FLOW EQUALIZATION DEVICE (SEE DETAIL)

APPROVED SEALING DEVICE



SECTION A-A



OUTLET END VIEW

PRETREATMENT CHAMBER

SUBMERGED TRANSFER PORT

ANOXIC CHAMBER

MIXING BAR

SUBMERGED TRANSFER PORT

AERATION CHAMBER

AERATION CHAMBER

SUBMERGED TRANSFER PORT

FINAL CLARIFICATION CHAMBER

MODEL SD103 RECIRCULATION PUMP

FLOW EQUALIZATION DEVICE (SEE DETAIL)

NOTE: SYSTEMS CERTIFIED BY NSF TO NSF/ANSI STANDARD 40 MUST INCLUDE MODEL A100 AIR PUMP.

NOTE: TOTAL SYSTEM CAPACITY: 1,785 GALLONS
RATED CAPACITY: 500/600 GALLONS PER DAY

PROJECT ENGINEER'S APPROVAL:
I (WE) HEREBY CERTIFY THAT THIS DRAWING HAS BEEN CHECKED AND IS APPROVED FOR USE IN CONFORMITY WITH THE CONTRACT DOCUMENTS.

DATE: _____

NAME: _____

CONTRACTOR'S CERTIFICATION:
I (WE) HEREBY CERTIFY THAT THIS DRAWING HAS BEEN CHECKED AND IS APPROVED FOR USE IN CONFORMITY WITH THE CONTRACT DOCUMENTS.

DATE: _____

NAME: _____

CRITICAL DIMENSIONS

A	3'- 3"	N	0'- 0 3/8"
B	3'- 5 1/4"	O	0'- 6"
C	3'- 2 3/4"	P	0'- 0 3/8"
D	4'- 2 1/4"	Q	1'- 2 1/2"
E	2'- 8 3/4"	R	4'- 3 1/2"
F	13'- 10"	S	5'- 11 1/2"
G	0'- 10 1/2"	T	1'- 4"
H	4'- 7 1/2"	U	6'- 6"
I	0'- 4"	V	
J	0'- 1 1/2"	W	
K	1'- 0"	X	
L	0'- 0 3/4"	Y	
M	4'- 3"	Z	

U.S. AND FOREIGN PATENTS PENDING		REVISIONS	NO. 09
		DATE	09-20-2024
© MMXXI	HYDRO-KINETIC® GREEN MODEL 600 SYSTEM WITHOUT BIO-FILM REACTOR	DESIGNED BY	JMM
		DATE	11-22-2021
		DRAWING NO.	NTS